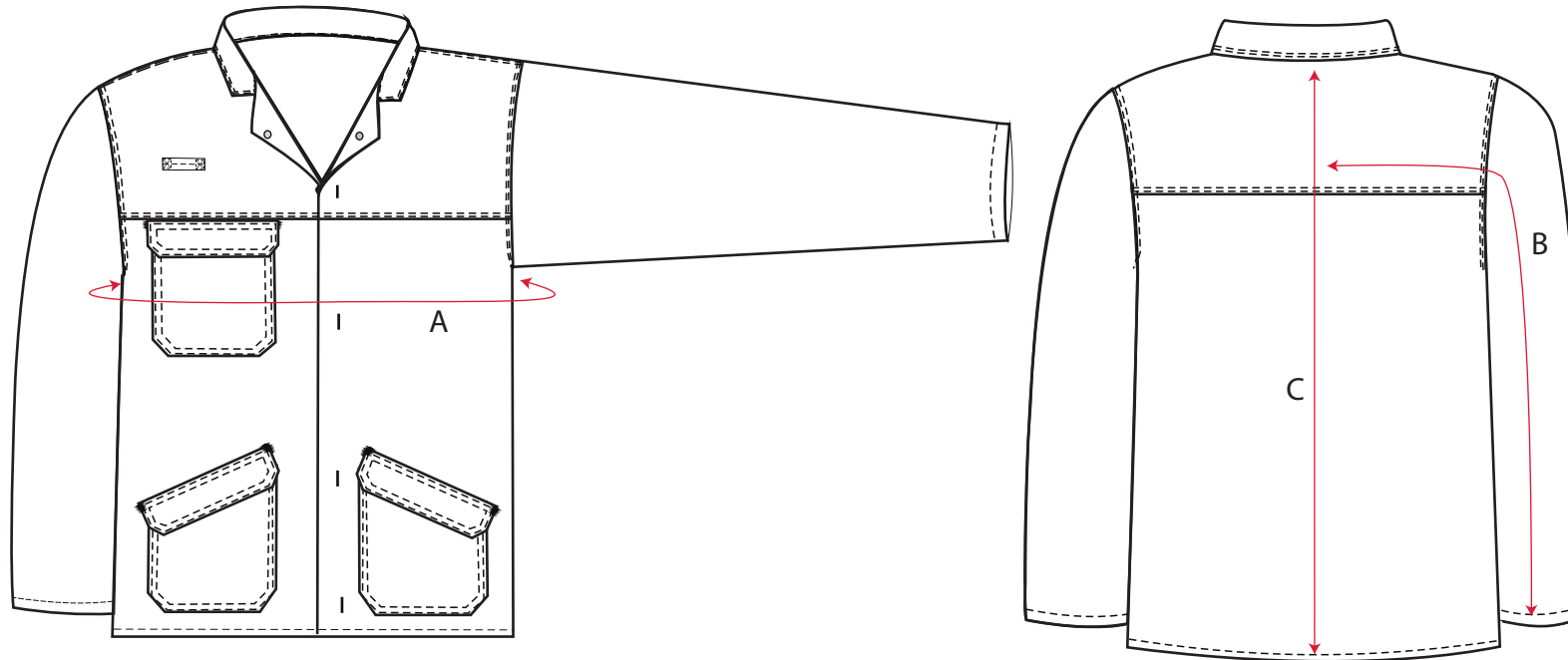


STYLE NO: FR35

DESCRIPTION: FR Anti-static jacket to EN ISO 11612, EN ISO 11611 and EN 1149

FABRIC: 99% Cotton 1% Carbon Fibre, 330gm

COLOUR: Navy, Grey.



AREA		92-96 SMALL	100-104 MEDIUM	108-112 LARGE	116-124 X-LARGE	128-132 XXL	136-140 XXXL
CHEST	A	108	116	124	136	144	152
SLEEVE	B	84	85	86	87.5	88.5	89.5
JKT LENGTH	C	74	75	76	77	78	79